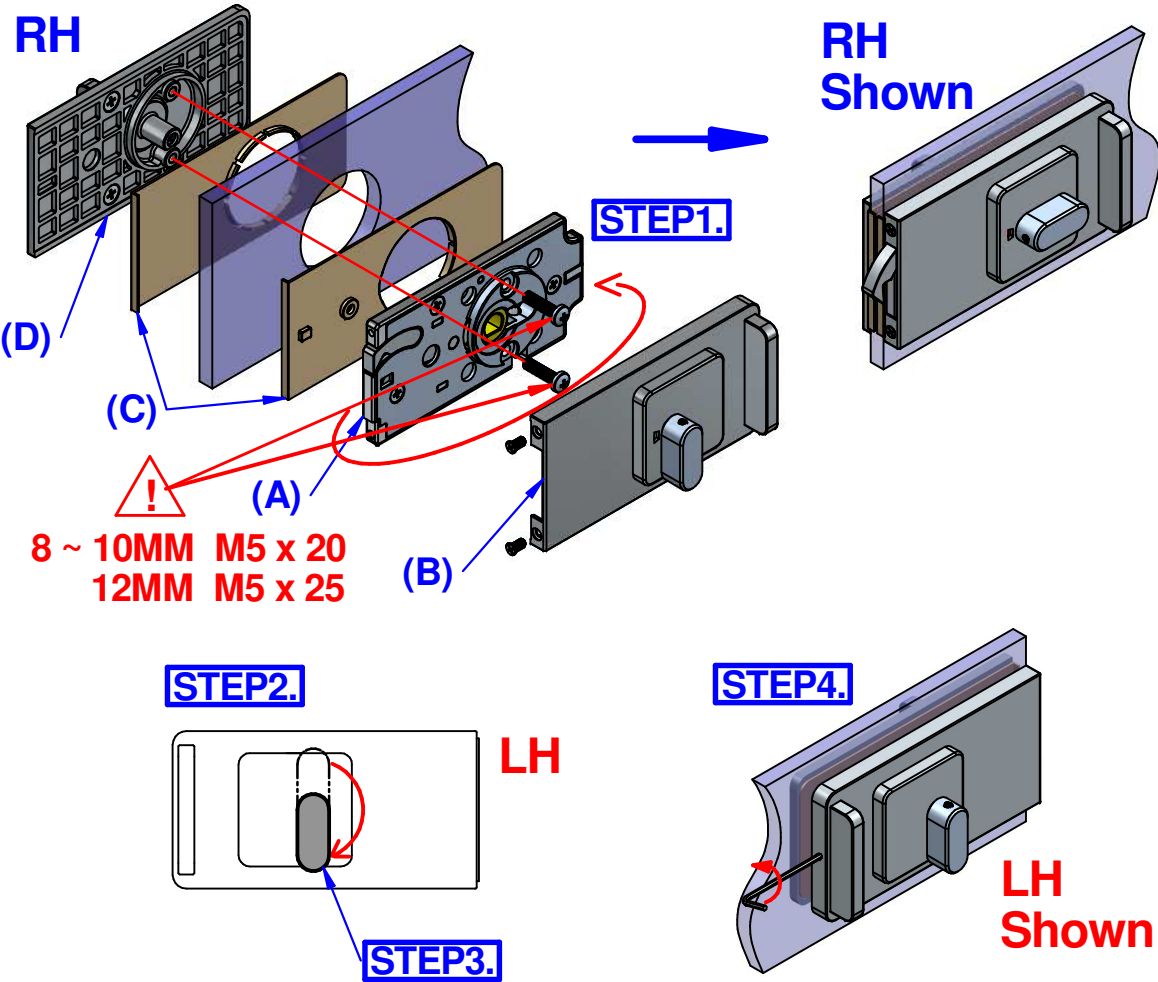


Sliding Glass Door Locks Installation

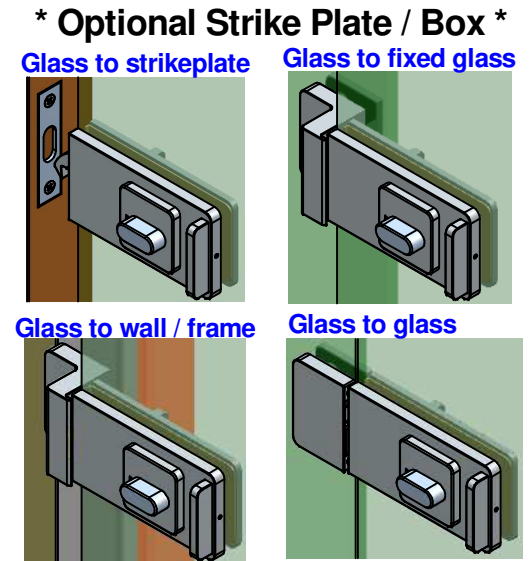
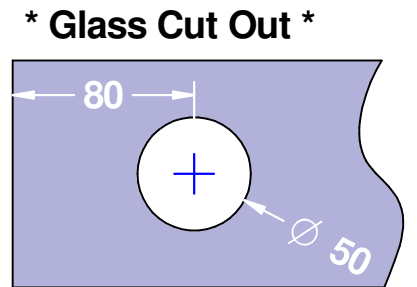
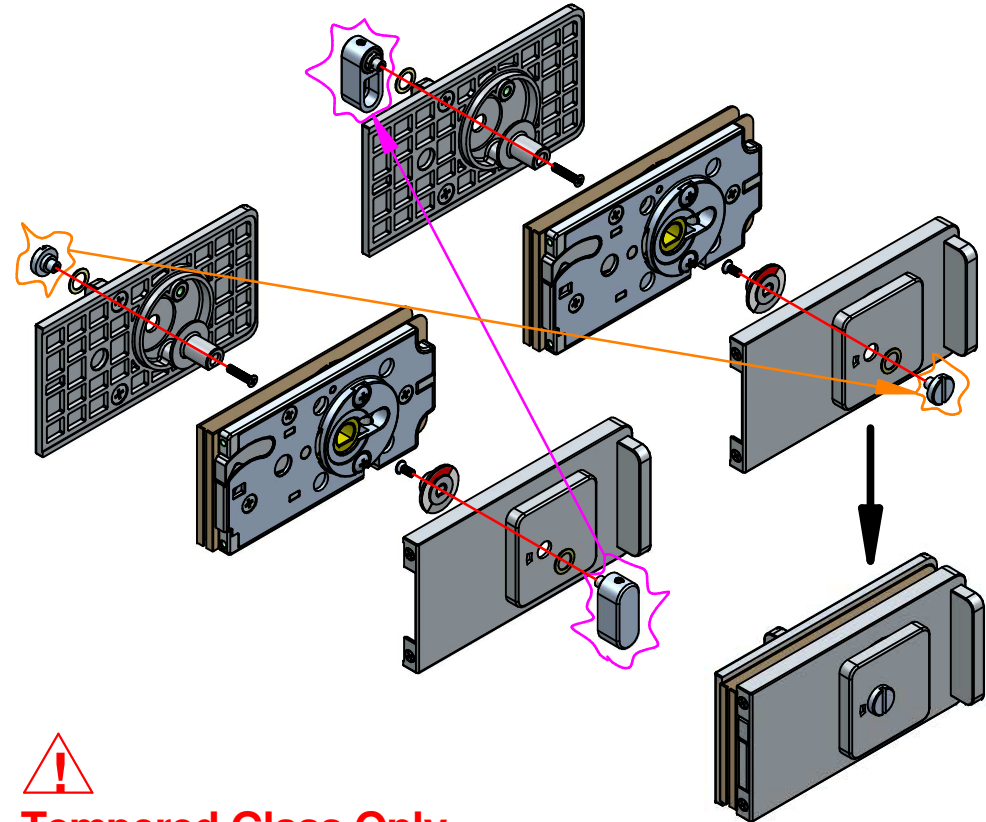
* How to Change from Open-to-Right to Open-to-Left *



- STEP 1. Reversing (A) lock body 180 degree horizontally and fixing the back to the glass door .
- STEP 2. Turning (B)(D) the lock covers and (C) gaskets 180 degree clockwise to open-to-left.
- STEP 3. Turning the thumb-turn downward as per drawing.
- STEP 4. Assemble the lock cover with set screw.

* 3 years warranty * 20 years patent in many countries

How to Switch of Thumb-Turn & Coin-Turn



*** Application ***

