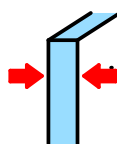


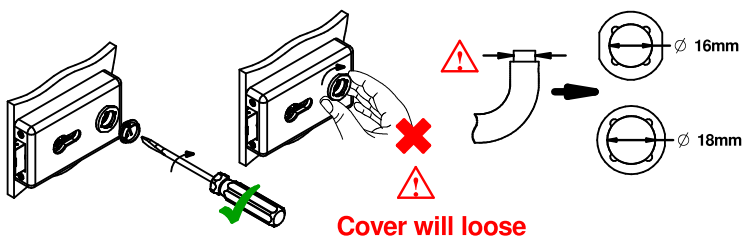
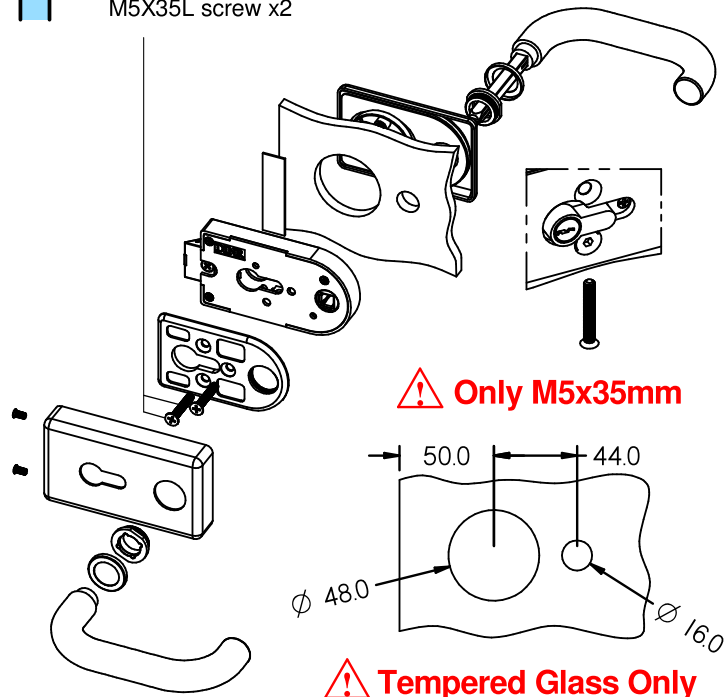
Installation Instruction

DNW[®]

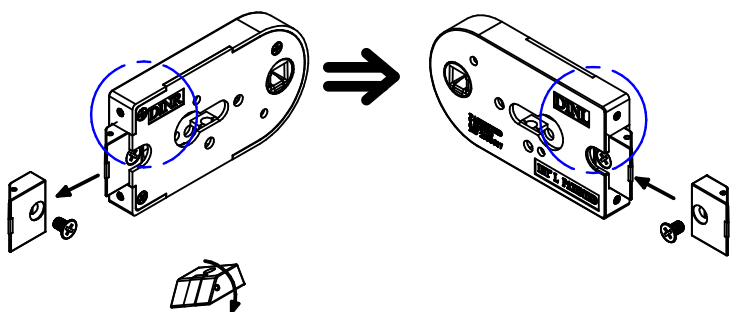
⚠ Standard Order is DIN Right

LK-890 (Lock)

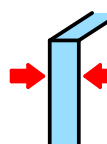

 8mm(5/16")-10mm(3/8")
 M5X30L screw x2
 12mm(1/2")
 M5X35L screw x2

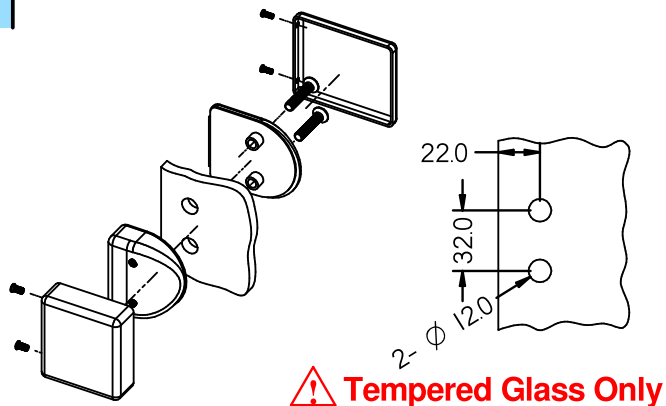


How to change DIN R to DIN L

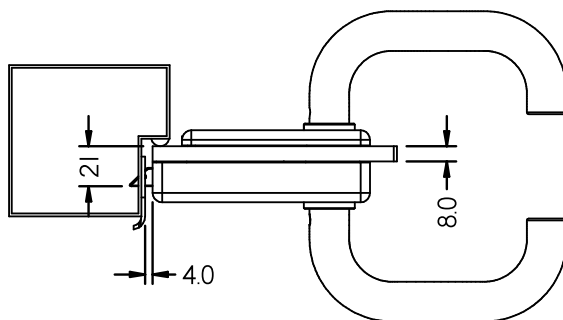


LK-500SB (Strike Box)

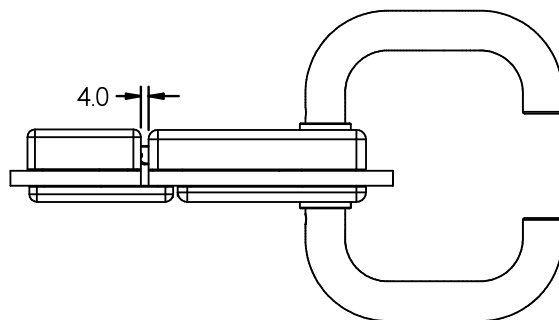
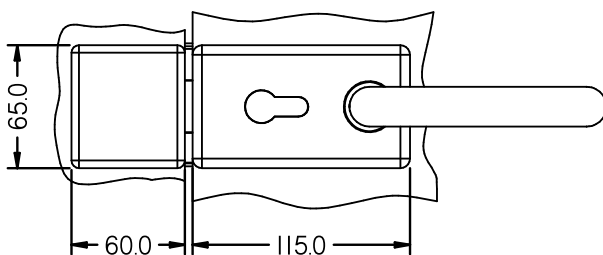

 8mm(5/16")-12mm(3/8")
 M6X30L screw x2



Glass Door To Frame



Glass Door To Side Fixed Panel



*** Passed 200,000 Cycles Test Of Handle**